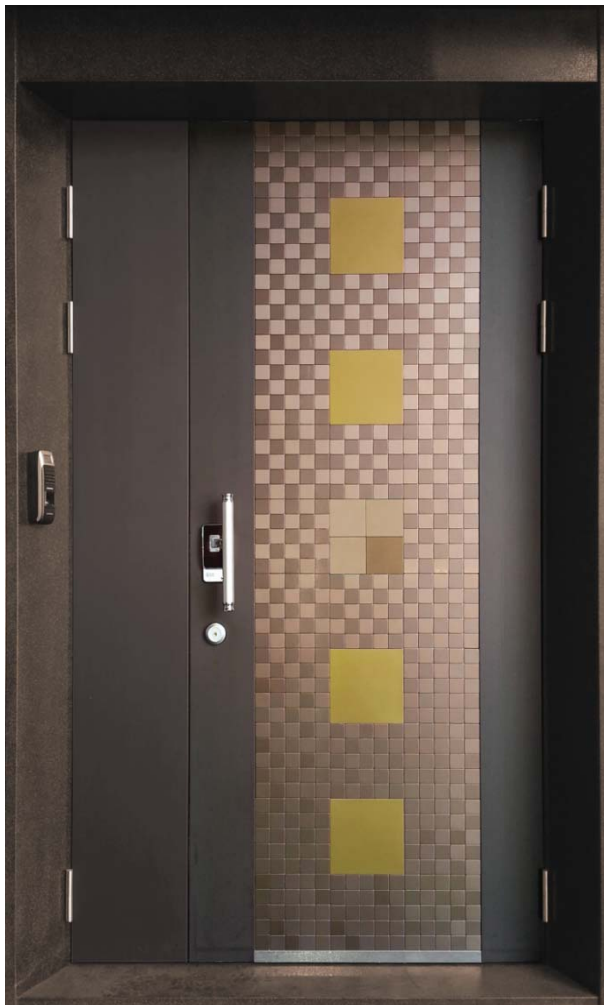


Entrance Fire Door (Automatic Swing Door)

- Fire door for entrance
- Steel fire door with reinforced functions in Fire rating, Insulating and security
- Special structure gives a splendid and dignified appearance



Standard size ; 1500mm (W) x 2450mm (H)

One touch operation (open / close) through the included devices for Finger Scan and Automatic Swing gives the ultimate convenience . It is also safe to the Children due to imbedded photo sensor (vertical detection)

Battery based automatic swing operator ..
[Digital servo controlled motor (90W) mounted]



Open & Close system by Finger Scan



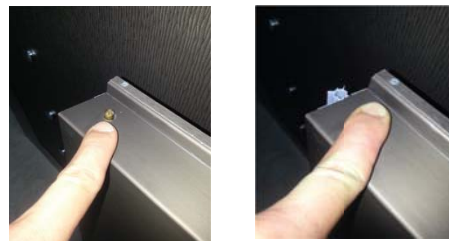
Finger scan and digital door lock setting

Door hinge parts combine strongly when door is closed.



Door is combined to the hole of hinge bar ,
which strengthen the fire rating function.

Auto seal operates while the door is closed



Auto seals are applied to top and bottom of the door, which prevent wind penetration and strengthen the insulating function.

Entrance Fire Door Model No. Identification



FD - BR - 9926 - TB

FD – Type of Model ; FD stands for “Front Door”.

BR – Tile Materials ; 4 colors available, most suitable color is applied based on the colors / materials of the base panel.

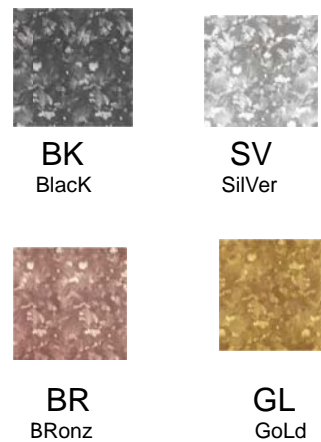
9926 – Product model number ; Tile layout identification number.
Various models are shown on catalogue page 5 – 11.

TB - This stands for materials of base panel.
Refer to below table.

Color Steel Sheet



Color Stainless Steel Sheet



- Please refer to the above initials and colors when order is placed.

Basic specification of Entrance Fire Door.

1. Materials and Size

EGI steel sheet of 1.6mm T is used as Door frame and basic size of fire doors are 1300mm W x 2400mm H x 120mm B for asymmetric double door and 1000mm W x 2400mm H x 120mm B for single door.. 50mm T is applied to the entrance fire door using 7mm T color steel sheet and stainless steel.

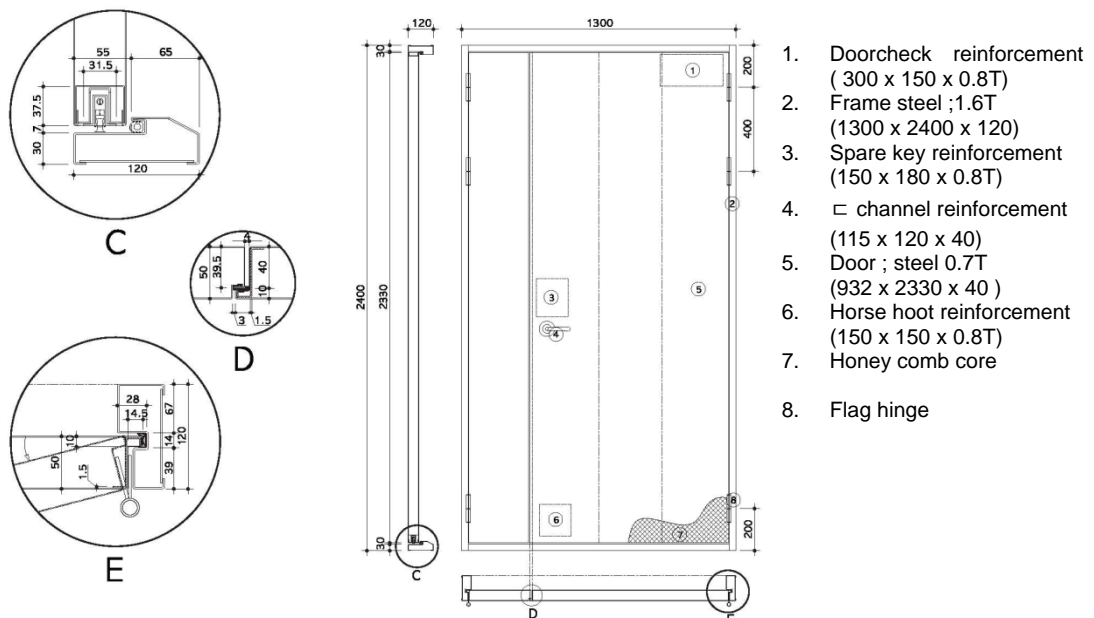
2. Features and Benefits

As the doors are manufactured under non-welding procedures, various materials can be used and shipping lead time is remarkably reduced.. Hook shaped Inner frame on both sides of the door helps a lot for to the security and fire rating function.

3. Basic specification & Options

Optimized size for the " Kumsung" fire door
 Double opening – 1300 mm x 2400mm
 Single opening - 1000mm x 2400mm
 Special gasket for fire door is applied.
 Auto-Seal operating upon close /open door.
 Complementary 3 Flag Hinges are applied.

4. Entrance Fire Door (European Mode) Details



Typical type of Entrance Fire Door

Standard size : Double Opening (DO) - 1300(w) x 2400 mm (H)
Single Opening (SO) - 1000(w) x 2400 mm (H)



FD-BR-9996-R (DO)



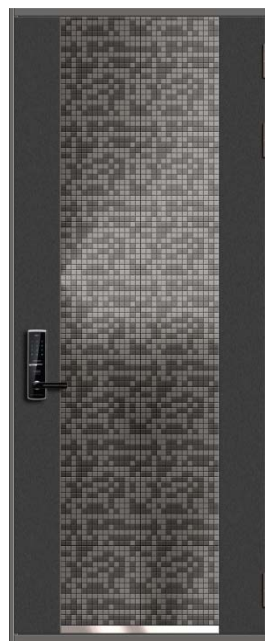
FD-BR-9996-Rb (SO)



FD-BR-9996-H (SO)



FD-GL-9976-GH(DO)



FD-BK-9986-RB(SO)



FD-BR-9633-TB(SO)



FD-SV-9923-H(D0)



FD-GL-9993-M(SO)



FD-SV-9915-RB(SO)



FD-BR-9826-R (Do)



FD-BK-9925-H (SO)



FD-BR-9801-R(SO)

- For the other types, please refer to catalogue book
- The optimized width of stainless steel tile is basically 600mm for single opening door.. 500mm width stainless steel tile can be used upon customer's request.

Designs of beading, molding, flat printing and color sheet for 40mm Fire Steel Door can be applied to 50mm Entrance fire door specification upon request. But there may be some limitation and confirmation on the availability prior to ordering is required.

You can get more choice through combining the below design and Model No.



FD -BK-9996-RB

FD -BK-641-H

FD -BK-513-G

FD -411-B

Examples of Entrance Fire Door manufactured from General Fire Door .

BK-641 – H (General Fire Door) → FD-BK-641-H (Entrance Fire Door)

- Model Number Identification for the general fire door with Entrance Fire door specifications

FD - BK - 641 - H

FD : Stands for Entrance Fire Door

BK ; Stands for Stainless Molding

641; Model number of General fire door

H ; Stands for the materials